

DOLPHIN LT 0320-0510 A

Liquid ring vacuum pumps



VACUUM SOLUTIONS



Robust

Proven technology, durable two-stage construction, corrosion-free stainless steel impeller, direct flange-mounted motor, no base frame required, integrated flow channel

Reliable

Extremely high vapor and particle tolerance, optimized gas flow

Flexible

Choice of cast iron (EN-GJL-200) or 316 grade stainless steel material housings, ATEX-certified version available (Cat 1(i/o) IIC T4), operating fluids other than water possible

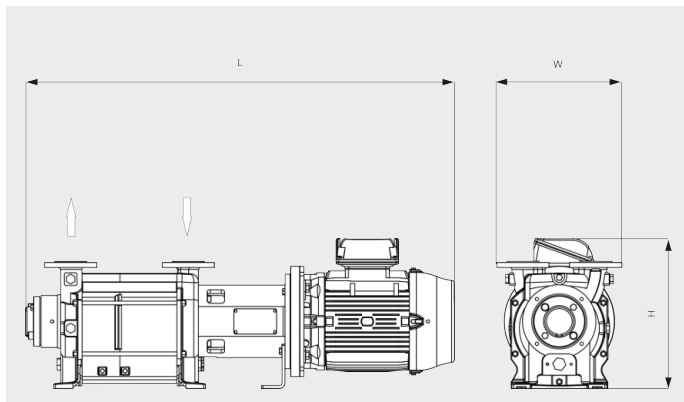
DOLPHIN LT 0320-0510 A

Liquid ring vacuum pumps



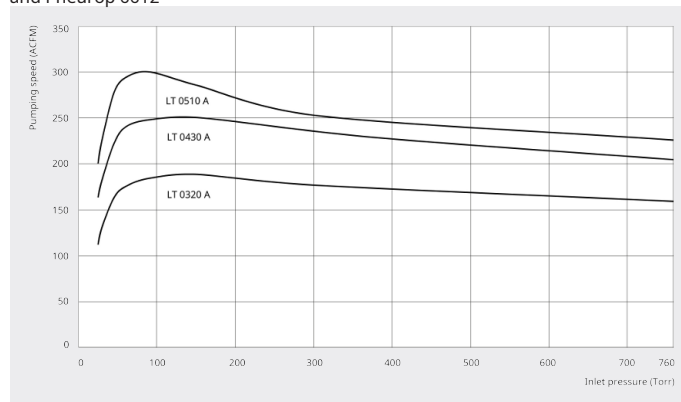
VACUUM SOLUTIONS

Dimensional drawing



Pumping speed

Dry air at 70 °F. Operating fluid water 60°F. Tolerance: - 10%, in accordance with HEI and Pneurop 6612



	DOLPHIN LT 0320 A	DOLPHIN LT 0430 A	DOLPHIN LT 0510 A
Nominal pumping speed	188.0 ACFM	251.0 ACFM	300.0 ACFM
Ultimate pressure	25 TORR	25 TORR	25 TORR
Nominal motor rating	15.0 HP	20.0 HP	20.0 HP
Nominal motor speed	1800 RPM	1800 RPM	1800 RPM
Noise level (ISO 2151)	73 dB(A)	73 dB(A)	73 dB(A)
Weight approx.	677 Lbs.	737 Lbs.	803 Lbs.
Dimensions (L x W x H)	51.8 x 17.8 x 15.8 inches	53.6 x 17.8 x 15.8 inches	56.6 x 17.8 x 15.8 inches
Gas inlet / outlet	DN 50 PN 10 / ANSI 2" / 150 lbs / JIS 50 10K / DN 50 PN 10 / ANSI 2" / 150 lbs / JIS 50 10K	DN 50 PN 10 / ANSI 2" / 150 lbs / JIS 50 10K / DN 50 PN 10 / ANSI 2" / 150 lbs / JIS 50 10K	DN 50 PN 10 / ANSI 2" / 150 lbs / JIS 50 10K / DN 50 PN 10 / ANSI 2" / 150 lbs / JIS 50 10K

DO YOU WANT TO KNOW MORE?

Get in touch with us directly!
info@buschusa.com or +1 757 463 7800



CONTACT FORM



CALL NOW